

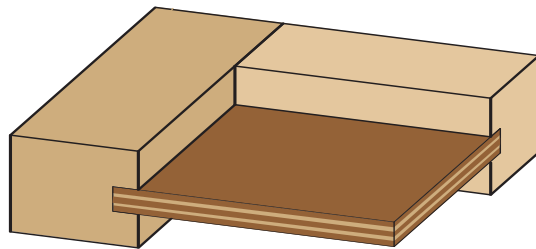
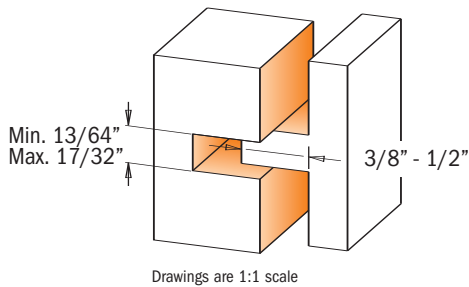
Adjustable tongue & groove bit set for Mission style cabinet doors



Exclusive CMT design which allows the perfect fit for undersized plywood panel. The tongue cutter features opposing shear angles to obtain flawless finishing on a large variety of material such as plywood, softwood and hardwood.

For use on a table-mounted router, not for handheld routers.

- Adjustable at 0.002" increments;
- For groove width from 13/64" to 17/32";
- Cut stock thickness of 1/2" to 1-1/4";
- Features micrograin carbide for longer life.



800.625.11 1/2" shank

ORDER NO. 1/2" shank	D inches	I inches	T ₁ inches	L inches
800.625.11	1-5/8	3/8 - 1/2	1/2 - 1-1/4	3-11/32

Saw Blades

Router Bits

Router Bits Sets

Jigs & Accessories

CNC Router Bits & Chucks

Dowel Drills

Boring Bits

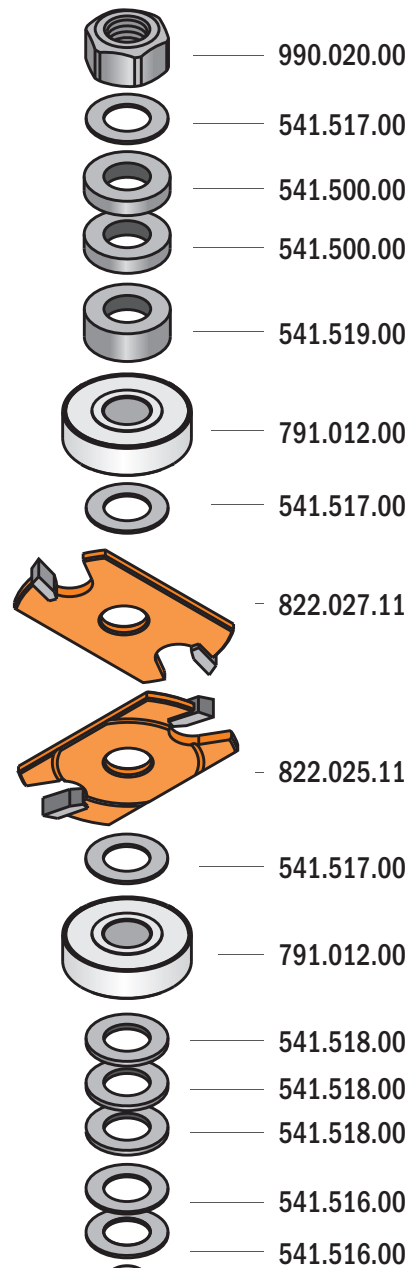
Cutter Heads & Knives

Spare Parts

800.625.11 (Shank 1/2") - ASSEMBLY FOR 3/8" CUTTING DEPTH

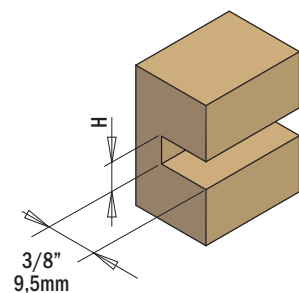
900.625.11 (Shank 12mm) - ASSEMBLY FOR 9,5MM CUTTING DEPTH

GROOVE ASSEMBLY Example for 13/64" (5,15mm)



- 990.020.00
- 541.517.00
- 541.500.00
- 541.500.00
- 541.500.00
- 541.519.00
- 791.012.00
- 541.517.00
- 822.027.11
- 822.025.11
- 541.517.00
- 791.012.00
- 541.518.00
- 541.518.00
- 541.518.00
- 541.516.00
- 541.516.00

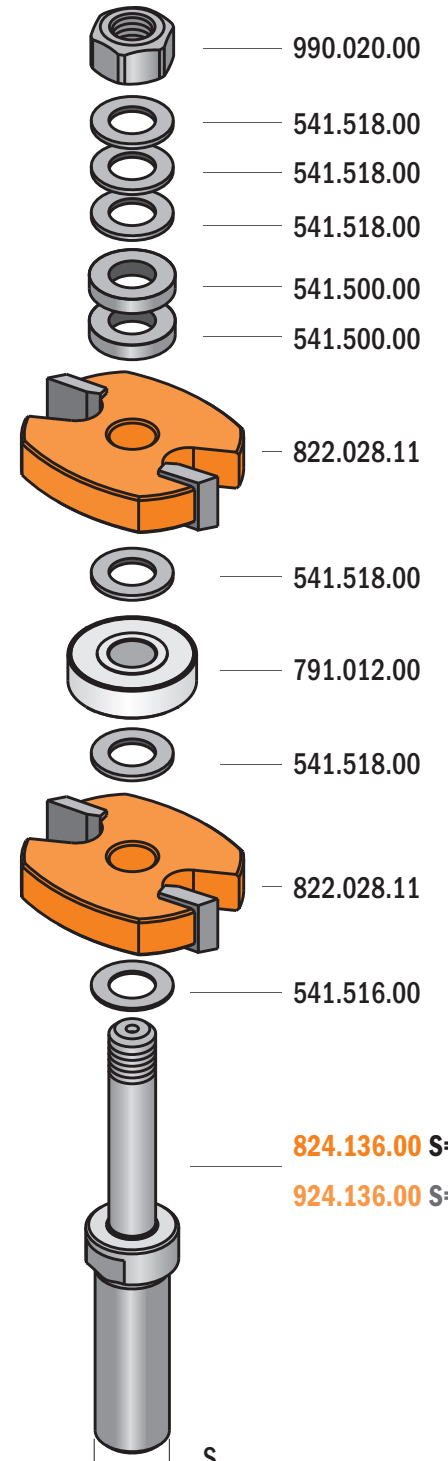
824.136.00 S=1/2"
924.136.00 S=12mm



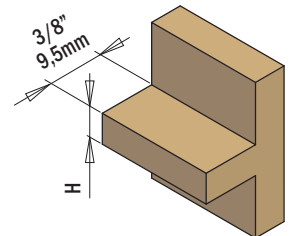
GROOVE - Cutting Helgh (H)

Assembly sequence n°	13/64" 5.15mm	7/32" 5.55mm	15/64" 5.95mm	1/4" 6.35mm	17/64" 6.75mm	9/32" 7.15mm	7/16" 11.1mm	29/64" 11.5mm	15/32" 11.9mm	31/64" 12.3mm	1/2" 12.7mm	33/64" 13.1mm	17/32" 13.5mm
20	-	-	-	-	-	990.020.00	-	-	-	-	-	-	-
19	-	-	-	990.020.00	990.020.00	541.517.00	541.518.00	-	-	990.020.00	-	-	990.020.00
18	-	990.020.00	990.020.00	541.517.00	541.516.00	541.518.00	-	-	-	541.518.00	-	-	990.020.00
17	990.020.00	541.500.00	541.500.00	541.517.00	541.517.00	541.500.00	-	-	-	541.518.00	990.020.00	990.020.00	541.518.00
16	541.517.00	541.500.00	541.500.00	541.518.00	541.518.00	541.519.00	-	-	-	541.500.00	541.518.00	541.516.00	541.500.00
15	541.500.00	541.519.00	541.519.00	541.500.00	541.500.00	791.012.00	-	990.020.00	990.020.00	791.012.00	541.500.00	541.518.00	791.012.00
14	541.500.00	791.012.00	791.012.00	541.519.00	541.519.00	541.517.00	990.020.00	541.519.00	541.519.00	541.517.00	791.012.00	541.500.00	541.517.00
13	541.519.00	541.517.00	541.517.00	791.012.00	791.012.00	822.027.11	541.517.00	791.012.00	791.012.00	822.027.11	541.517.00	791.012.00	822.027.11
12	791.012.00	822.027.11	822.027.11	541.517.00	541.517.00	541.515.00	541.519.00	541.517.00	541.517.00	541.516.00	822.027.11	541.515.00	541.515.00
11	541.517.00	541.515.00	541.517.00	822.027.11	822.027.11	541.515.00	791.012.00	822.027.11	822.027.11	541.516.00	541.515.00	822.027.11	541.518.00
10	822.027.11	541.516.00	541.516.00	541.515.00	541.515.00	541.516.00	541.517.00	541.516.00	541.516.00	822.026.11	541.517.00	541.518.00	822.026.11
9	822.025.11	822.025.11	822.025.11	541.515.00	541.518.00	541.518.00	822.027.11	822.026.11	822.026.11	541.515.00	822.026.11	822.026.11	541.516.00
8	541.517.00	541.517.00	541.517.00	541.517.00	541.517.00	541.517.00	822.026.11	541.515.00	541.517.00	541.517.00	541.518.00	541.518.00	541.518.00
7	791.012.00	791.012.00	791.012.00	822.025.11	822.025.11	822.025.11	822.025.11	822.025.11	822.025.11	822.025.11	822.025.11	822.025.11	822.025.11
6	541.518.00	541.518.00	541.518.00	541.517.00	541.517.00	541.517.00	541.517.00	541.517.00	541.517.00	541.517.00	541.517.00	541.517.00	541.517.00
5	541.518.00	541.518.00	541.518.00	791.012.00	791.012.00	791.012.00	791.012.00	791.012.00	791.012.00	791.012.00	791.012.00	791.012.00	791.012.00
4	541.518.00	541.518.00	541.518.00	541.500.00	541.500.00	541.500.00	541.500.00	541.500.00	541.500.00	541.500.00	541.500.00	541.500.00	541.500.00
3	541.516.00	541.516.00	541.516.00	541.516.00	541.516.00	541.516.00	541.516.00	541.516.00	541.516.00	541.516.00	541.516.00	541.516.00	541.516.00
2	541.516.00	541.516.00	541.516.00	541.516.00	541.516.00	541.516.00	541.516.00	541.516.00	541.516.00	541.516.00	541.516.00	541.516.00	541.516.00
1	8/924.136.00	8/924.136.00	8/924.136.00	8/924.136.00	8/924.136.00	8/924.136.00	8/924.136.00	8/924.136.00	8/924.136.00	8/924.136.00	8/924.136.00	8/924.136.00	8/924.136.00

TONGUE ASSEMBLY Example for 13/64" (5,15mm)



824.136.00 S=1/2"
924.136.00 S=12mm



TONGUE - Cutting Helgh (H)

Assembly sequence n°	13/64" 5.15mm	7/32" 5.55mm	15/64" 5.95mm	1/4" 6.35mm	17/64" 6.75mm	9/32" 7.15mm	7/16" 11.1mm	29/64" 11.5mm	15/32" 11.9mm	31/64" 12.3mm	1/2" 12.7mm	33/64" 13.1mm	17/32" 13.5mm
16	-	-	-	990.020.00	-	990.020.00	-	-	-	990.020.00	-	-	-
15	-	990.020.00	-	541.518.00	990.020.00	541.518.00	-	990.020.00	-	541.518.00	990.020.00	-	990.020.00
14	-	541.518.00	990.020.00	541.518.00	541.516.00	541.500.00	-	541.518.00	990.020.00	541.518.00	541.516.00	990.020.00	541.517.00
13	990.020.00	541.518.00	541.518.00	541.500.00	541.518.00	541.500.00	990.020.00	541.518.00	541.518.00	822.028.11	541.518.00	541.516.00	822.028.11
12	541.518.00	541.518.00	541.518.00	541.500.00	541.500.00	822.028.11	541.518.00	541.518.00	541.518.00	541.518.00	822.028.11	541.517.00	541.515.00
11	541.518.00	541.500.00	541.500.00	822.028.11	541.500.00	541.518.00	822.028.11	822.028.11	822.028.11	541.516.00	541.515.00	822.028.11	541.518.00
10	541.518.00	541.500.00	541.500.00	541.518.00	822.028.11	541.515.00	541.518.00	541.518.00	541.518.00	541.516.00	541.517.00	541.518.00	541.518.00
9	541.500.00	822.028.11	822.028.11	541.516.00	541.518.00	541.516.00	822.028.11	541.516.00	541.516.00	541.500.00	541.518.00	541.518.00	541.500.00
8	541.500.00	541.516.00	541.516.00	541.516.00	541.515.00	541.515.00	541.518.00	541.500.00	541.500.00	791.012.00	541.500.00	541.500.00	791.012.00
7	822.028.11	541.518.00	541.518.00	791.012.00	541.517.00	541.517.00	541.500.00	791.012.00	791.012.00	541.500.00	791.012.00	791.012.00	541.516.00
6	541.518.00	791.012.00	791.012.00	541.515.00	791.012.00	791.012.00	791.012.00	541.500.00	541.500.00	541.515.00	541.518.00	541.518.00	541.518.00
5	791.012.00	541.515.00	541.517.00	541.517.00	541.518.00	541.518.00	541.500.00	541.515.00	541.517.00	541.517.00	541.500.00	541.500.00	541.500.00
4	541.518.00	541.518.00	541.518.00	541.518.00	541.518.00	541.518.00	541.518.00	541.518.00	541.518.00	541.518.00	541.518.00	541.518.00	541.518.00
3	822.028.11	822.028.11	822.028.11	822.028.11	822.028.11	822.028.11	822.028.11	822.028.11	822.028.11	822.028.11	822.028.11	822.028.11	822.028.11
2	541.516.00	541.516.00	541.516.00	541.516.00	541.516.00	541.516.00	541.516.00	541.516.00	541.516.00	541.516.00	541.516.00	541.516.00	541.516.00
1	8/924.136.00	8/924.136.00	8/924.136.00	8/924.136.00	8/924.136.00	8/924.136.00	8/924.136.00	8/924.136.00	8/924.136.00	8/924.136.00	8/924.136.00	8/924.136.00	8/924.136.00

